

PRECISION DIAL TEST INDICATOR

INSIZE PLUS
MADE IN EUROPE

**INSPECTION
CERTIFICATE**

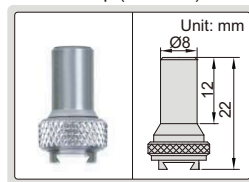
ANTI MAGNETIC
CARBIDE CONTACT POINT



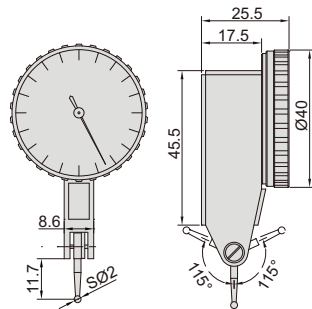
2897-02

- Meet DIN2270
- Ceramic bearing
- Anti magnetic carbide contact point
- Two measuring directions
- Supplied with one clamp: diameter Ø8mm
- Optional accessory: styli

clamp (included)



Unit: mm



Code	Range	Graduation	Accuracy	Hysteresis	Dial reading
2897-02 *	0.2mm	0.001mm	4µm	2µm	0-100-0

* Supplied with manufacturer inspection certificate